

产品特性/Product Features

- IP6K9K
- 200A 85°C长时间载流能力
- 12-750VDC
- 1000MΩ (1000VDC) , IEC 60664-1
- PCB

触点参数 / Contact parameters

		1a					
		≤2mΩ (at 20A)					
		200A					
		2×10 ⁻⁵					
		450V型		750V型			
		1000VDC		1000VDC			
		2000A(320VDC)1		2000A(320VDC)1			
		90kW		150kW			
1)		2.5×10 ⁴	22.5VDC, =1ms	400A, 200A	2.5×10 ⁴	37.5VDC, =1ms	400A, 200A
		1	450VDC, =1ms	1350A, 200A			
		1×10 ⁴	450VDC,70A		1×10 ⁴	750VDC,70A	
		3×10 ³	450VDC,200A		1×10 ³	750VDC,200A	
2)		200A:					
		300A:60min					
		400A:20min					
		800A:30s					
		2000A:0.6s					

1) 23°C, 0.6s:5.4s.

2) 85°C, 60 mm², " "

性能参数 / Performance parameters

	1000MΩ(1000VDC)
	3000VAC 1min
	3000VAC 1min
()	≤30ms
()	≤10ms
	196m/s ²
	490m/s ²
	10Hz ~ 500Hz 49m/s ²
	5% ~ 85%RH
	-40°C ~ 85°C
	M6
	500g
	95.0mm×45.0mm×85.1mm 89.0mm×45.0mm×85.1mm

线圈参数 / Coil parameters

VDC	VDC	VDC	W
12	9	3.6	34(0.2s) 4
24	≤18	≥7.2	34(0.2s) 4

-40°C ~ 85°C)

订货标记示例

HFEVC - T F 200 / 750 - 12 - C N SM -

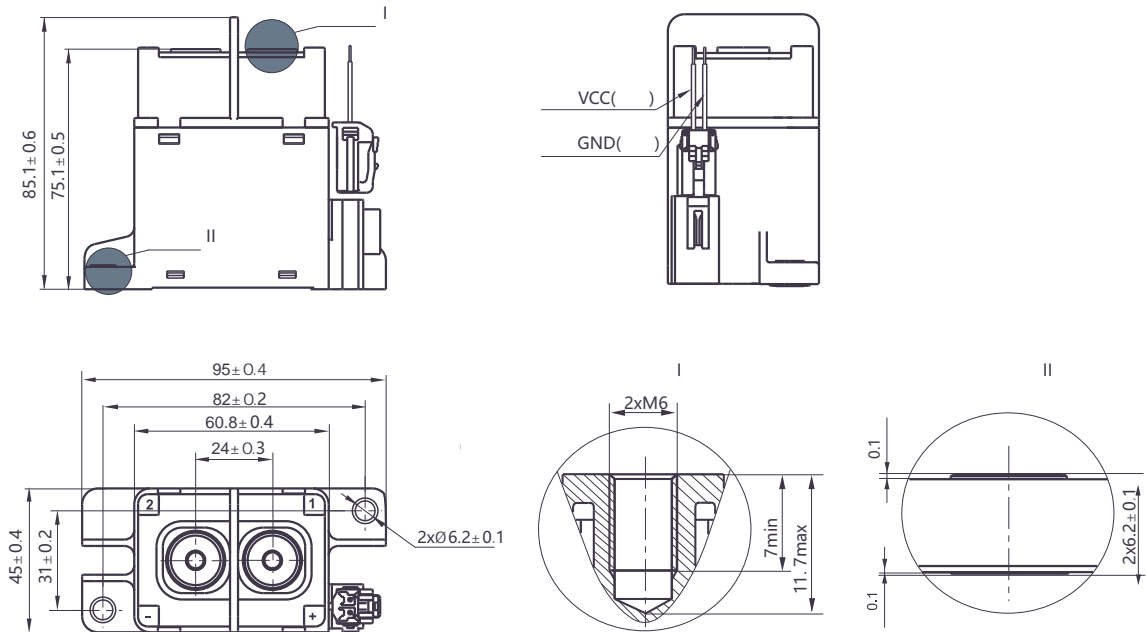
1 2 3 4 5 6 7 8 9 10

- 1 HFEVC:
- 2 T: H:
- 3 F: Y:
- 4 200: 200A
- 5 DC Blank: 450V 750: 750V
- 6 12: DC12V 24: DC24V PWM: 9V~24V
- 7 C: L:
- 8 Blank: N:
- 9 Blank: SM:
- 10

1)

外形图、安装孔尺寸 / Outline drawing, mounting hole size

/Unit mm





性能曲线图 Performance graph

