

# HIGH-VOLTAGE EPOXY CONTACTOR

1

2

2

2X

## 产品特性/Product Features

IP6K9K

250A 85°C长时间载流能力

12-750VDC

1000MΩ (1000VDC) , IEC 60664-

1

PWM

性能参数 / Performance parameters

	1000MΩ(1000VDC)
	3000VAC 1min
	3000VAC 1min
( )	≤30ms
( )	≤10ms
	196m/s <sup>2</sup>
	490m/s <sup>2</sup>
	10Hz~500Hz 49m/s <sup>2</sup>
	5%~85%RH
	-40°C~85°C
	/
	400g

线圈参数 / Coil parameters

9~24V	9	≥4.5	26W 3W
40°C~85°C)			

订货标记示例

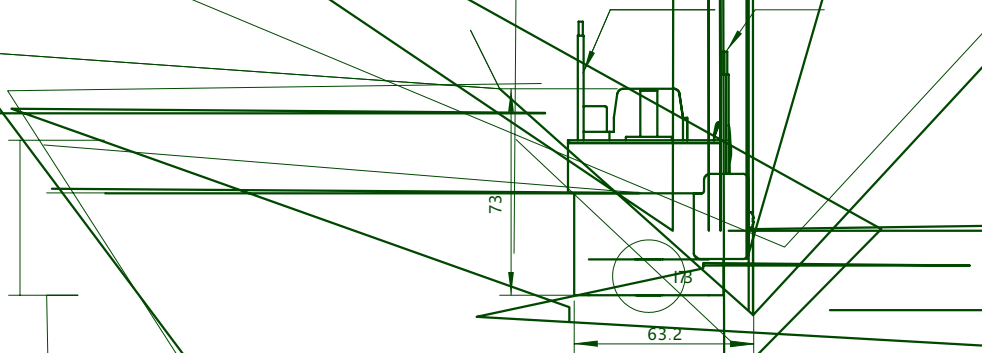
HFEVC - H Y 250 / 750 - 12 - C N SM -

1	2	3	4	5	6	7	8	9	10
	HFEVC:								
2	T:								
3	F:								
4	250: 250V								
5	DC Blank: 450V 750: 750V								
6	12: DC12V / 24: DC24V PWM: 9V~24V								
7	C: L:								
8	Blank: N:								
9	Blank: SM:								
10									

1)

外形图、安装孔尺寸 / Outline drawing, mounting hole size

/Unit mm



性能曲线图 Performance graph

1

M5螺钉 (内螺纹)	3N·m				
M8					

2

100m

3

3mm